



PURIFIER VGPE

The purifier "VGPE" separates products from the break and reduction passages into at least four fractions according to their density, shape and size (floating speed). The purifier produces semolina and fine semolina of the highest quality.



FUNCTION

The purifier always consists of two compartments that can perform different tasks. The product falls freely into the machine from above. The throwing movement of the screens and the air flowing through the product from below forms a loose fluidized bed in which the products are arranged according to density: heavy products below, light products above. This principle is repeated on three layers. The sieve transitions of the three sieve layers move to the end outlets, the throughfalls can be assigned to different products via 16 integrated flaps.

FEATURES

- > Uniform product distribution over the entire width of the machine at the inlet
- > LED backlight
- > Aluminium sieveframe
- > Drive system for unique quiet machine operation
- > Special brush cleaners keep the screens permanently open
- > Easy screen change
- > Easy access for machine cleaning
- > Precise air adjustment of the individual sections with 16 adjustment wheels
- > Suitable for use in potentially explosive areas (inside/outside)

OPTIONS

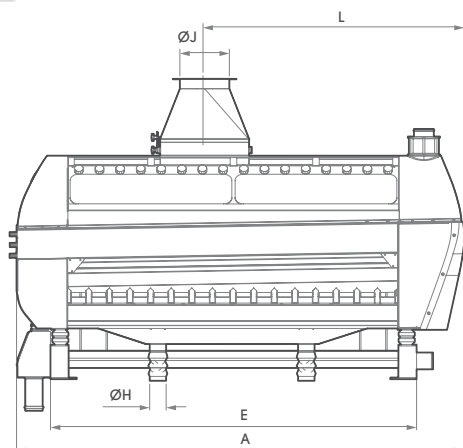
- > Product touching parts in stainless steel
- > Vibration monitoring
- > Vacuum sensor
- > Different sieve sizes
- > Outlet arrangement (sieve throughfalls) as required
- > Custom painting (standard: RAL9003/ RAL3003)



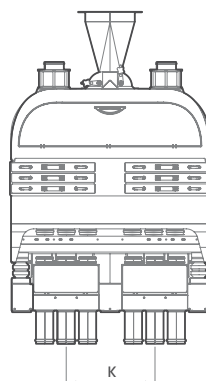


PURUFIER

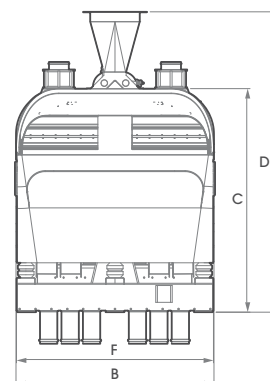
VGPE



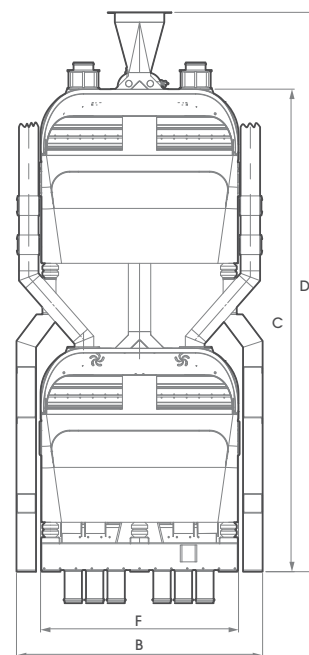
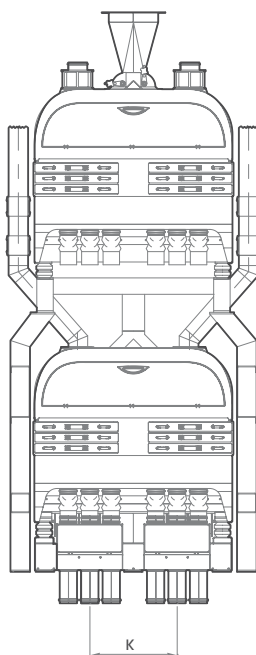
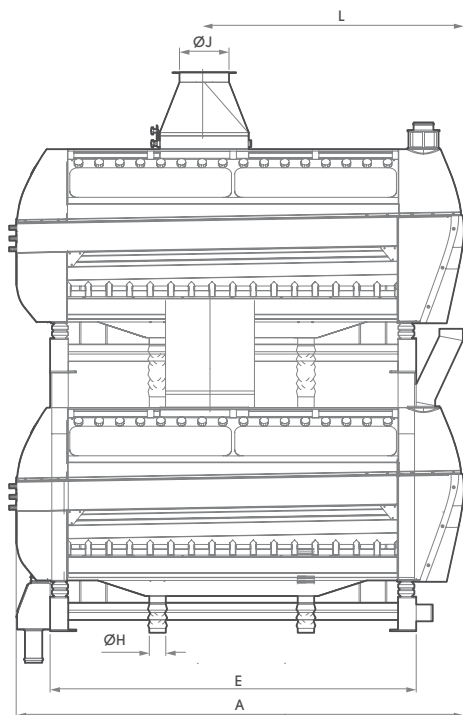
SIDE VIEW (LH)



SIDE VIEW (RH)



VGPE-46/200 - SINGEL MACHINE



VGPE-46/200D - DOUBLE MACHINE

TECHNICAL DATA

Type	Motor Power (kW)	Aspiration (m ³ /min)	Sieve Width (mm)	Compartments	Sieves/Compartment	Weight (kg)		Volume (m ³)
						Net	Gross	
VGPE-46/200	2 x 0,40	50	500	2	3x4	1.000	1.335	8,7
VGPE-46/200D	4 x 0,40	100		4		2.500	3.010	17,8

DIMENSIONS (mm)

Type	A	B	C	D	E	F	ØH	ØJ	K	L
VGPE-46/200	2.715	1.200	1.355	1.820	2.220	1.194	100	300	580	1.575
VGPE-46/200D		1.485	2.925	3.390				420		

